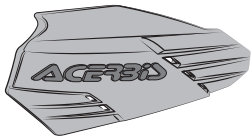


## K-LINEAR HANDGUARD PARAMANO K-LINEAR

COD. 500008866 REV.2

### ACERBIS PARTS



A - (2 pcs.)



LH - (1 pcs)



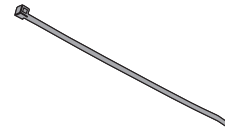
RH - (1 pcs)



B - (2 pcs)



C - (4 pcs)

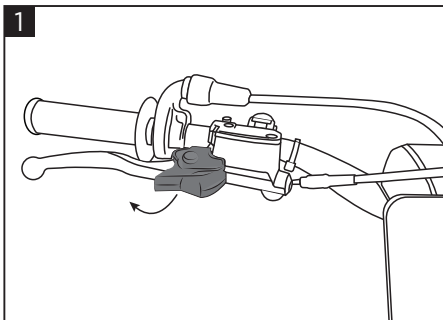


H - (2 pcs)

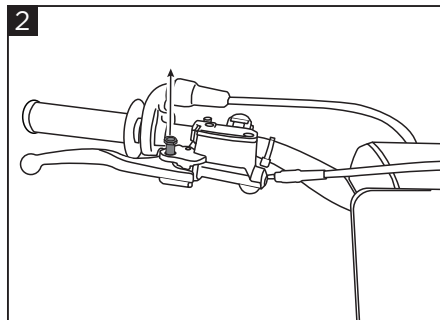


I - (2 pcs)

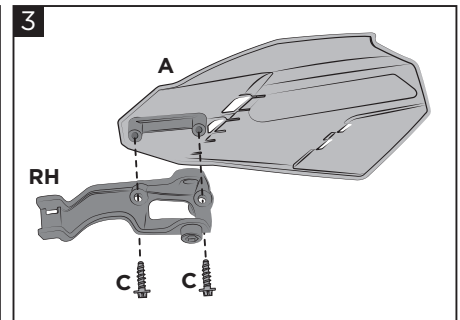
 <b>D - (2 pcs)</b> <b>Clutch + brake</b> 28 x 7,9 Magura Frizione + freno 28 x 7 Magura	 <b>E - (1 pcs)</b> <b>Brake</b> 28 x 7,9 Brembo Freno 28 x 7,9 Brembo	 <b>F - (1 pcs)</b> <b>Clutch</b> 5,7 x 4,7 Brembo Frizione 5,7 x 4,7 Brembo	 <b>G - (2 pcs)</b> <b>Clutch + Brake</b> 31 x 7,9 Braktec Frizione + Freno 31 x 7,9 Braktec	 <b>H - (2 pcs)</b> <b>Brake</b> 25,5 x 7,9 Nissin Freno 25,5 x 7,9 Nissin
---	---	---	---	---



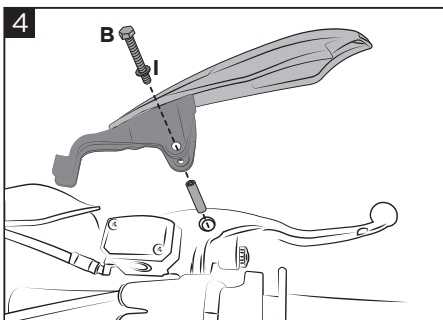
**1**  
**Remove the rubber protections.**  
Rimuovere le protezioni originali.



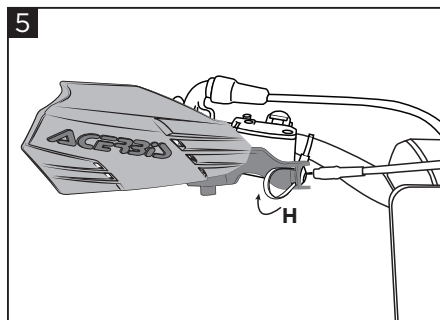
**2**  
**Remove the original screws.**  
Rimuovere le viti originali.



**3**  
**Fix the cover (A) to the right side mount (RH).**  
Fissare la cover (A) al bracciale (RH) attraverso due viti (C).



**4**  
**Mount the bushing in the pump (choose the bushing according to the table\*), then assemble the handguard to the handlebar through the screw (B) and the washer (I).**  
Montare la boccia nella pompa (scegliere la boccia in base alla tabella\*), poi assemblare il paramano al manubrio attraverso la vite (B) e la rondella (I).



**5**  
**Fix with band (H). Repeat with the left handguard.**  
Fissare attraverso la fascetta (H). Ripetere con il paramano sinistro.

### WARNING!

Follow mounting instruction exactly. Ensure that the mounting is secured before riding. These handguards will not prevent injury in the event of a crash. They are designed to protect the hands from cold weather. Be sure that you follow the instructions for mounting the handguards. Do not ride with a broken tie wrap. Check that the throttle and other controls are free every time you ride. Failure to heed instruction and this warning could lead to interference with the controls, loss of control of the motorcycle, and accidents. Acerbis recommends that installation must be done by a licensed mechanic and that only Acerbis' original parts are used during installation. Acerbis makes no guarantees or representations, express or implied, regarding the fitment of its product for any particular purpose. Acerbis makes no guarantees or representations, express or implied, regarding the extent to which its products protect individuals or property from injury or death or damage.

#### EUROPE

ACERBIS ITALIA S.P.A.  
VIA SERIO, 37  
24021 ALBINO (BG)  
ITALY

#### U.S.A.

ACERBIS U.S.A. INC.  
MAIL P.O. BOX 2030  
SUN VALLEY, ID 83353  
SHIP 110 LINDAY CIRCLE  
KETCHUM, ID 83340  
U.S.A.

#### UNITED KINGDOM

ACERBIS U.K LTD  
UNIT 4 DUNFERMLINE COURT,  
KINGSTON, MILTON KEYNES  
MK10 0BY  
GREAT BRITAIN