

X-GRIP FRAME GUARD KAWASAKI KXF

PARATELAIO X-GRIP PER KAWASAKI KXF

ACERBIS®

COD. 500003351 REV 3

ACERBIS PARTS



A - (1 pcs.)



B - (1 pcs.)



C - (3 pcs.)



D - (1 pcs.)



E - (1 pcs.)



F - (1 pcs.)



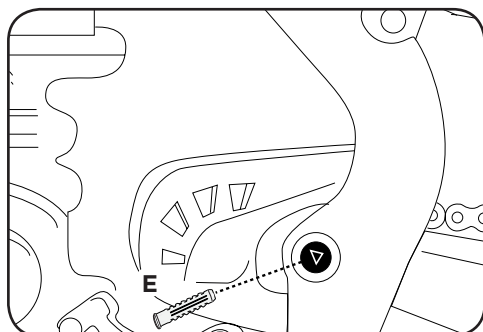
G - (1 pcs.)



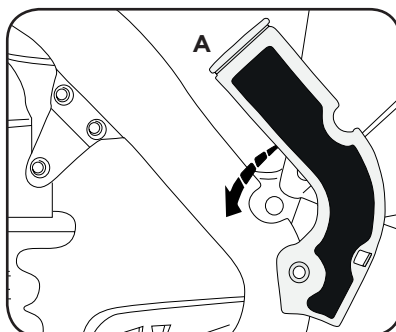
H - (1 pcs.)



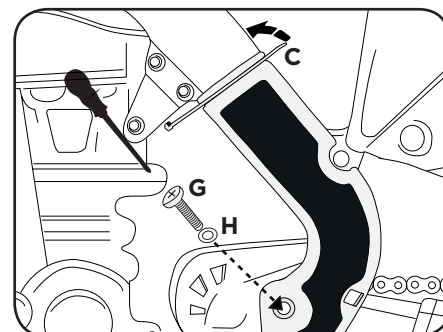
I - (1 pcs.)



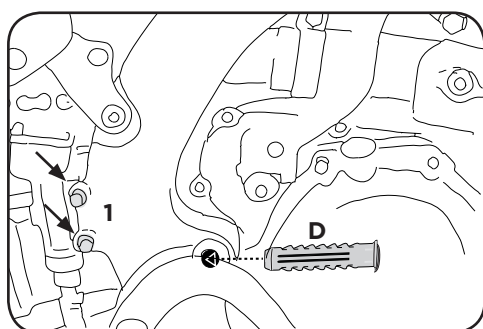
- 1.** Inserire il tassello (E) nel lato SX del telaio
Insert the plug (E) on the left side of the frame



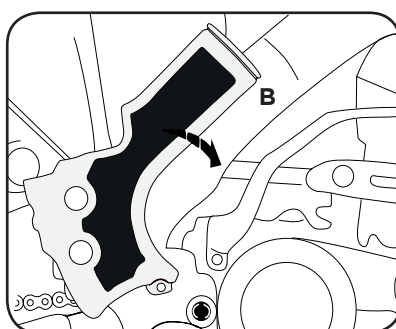
- 2.** Posizionare il paratelaio SX (A)
Mount the left frame guard (A)



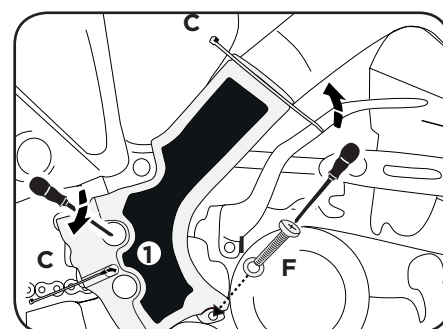
- 3.** Avvitare la vite (G) con la rondella (H) e fissare la fascetta (C)
Tighten the screw (G) with the washer (H) and tighten the cable tie (C)



- 4.** Allentare le viti della pompa freno (1) e inserire il tassello (D) nel lato DX del telaio
Loosen the screws of the brake pump (1), insert the plug (D) on the right side of the frame



- 5.** Posizionare il paratelaio DX (B)
Mount the right frame guard (B)



- 6.** Avvitare la vite (F) con la rondella (I), fissare le fascette (C) e stringere le viti pompa freno (1)
Tighten the screw (F) with the washer (I) and attach the cable tie (C). Tighten the screws of the brake pump (1)

WARNING!

Use at your own risk. Check the security of your device before you ride. Be sure that you follow the instructions installing the Acerbis products. Do not ride if there is missing or damaged hardware. If this is the case, take the item immediately back to your dealer. Make sure the throttle and other controls are free every time you ride. Lack of attention to instruction and warning could lead to interference with the controls, loss of control, and an accidents. Acerbis recommends that installation must be done by a licensed mechanic and that only Acerbis original parts are used during fitting. Acerbis makes no guarantees or representations, express or implied, regarding the fitness of its products for any particular purpose. Acerbis makes no guarantees or representations, express or implied, regarding the extent to which its product protect individuals or property from injury or death or damage.